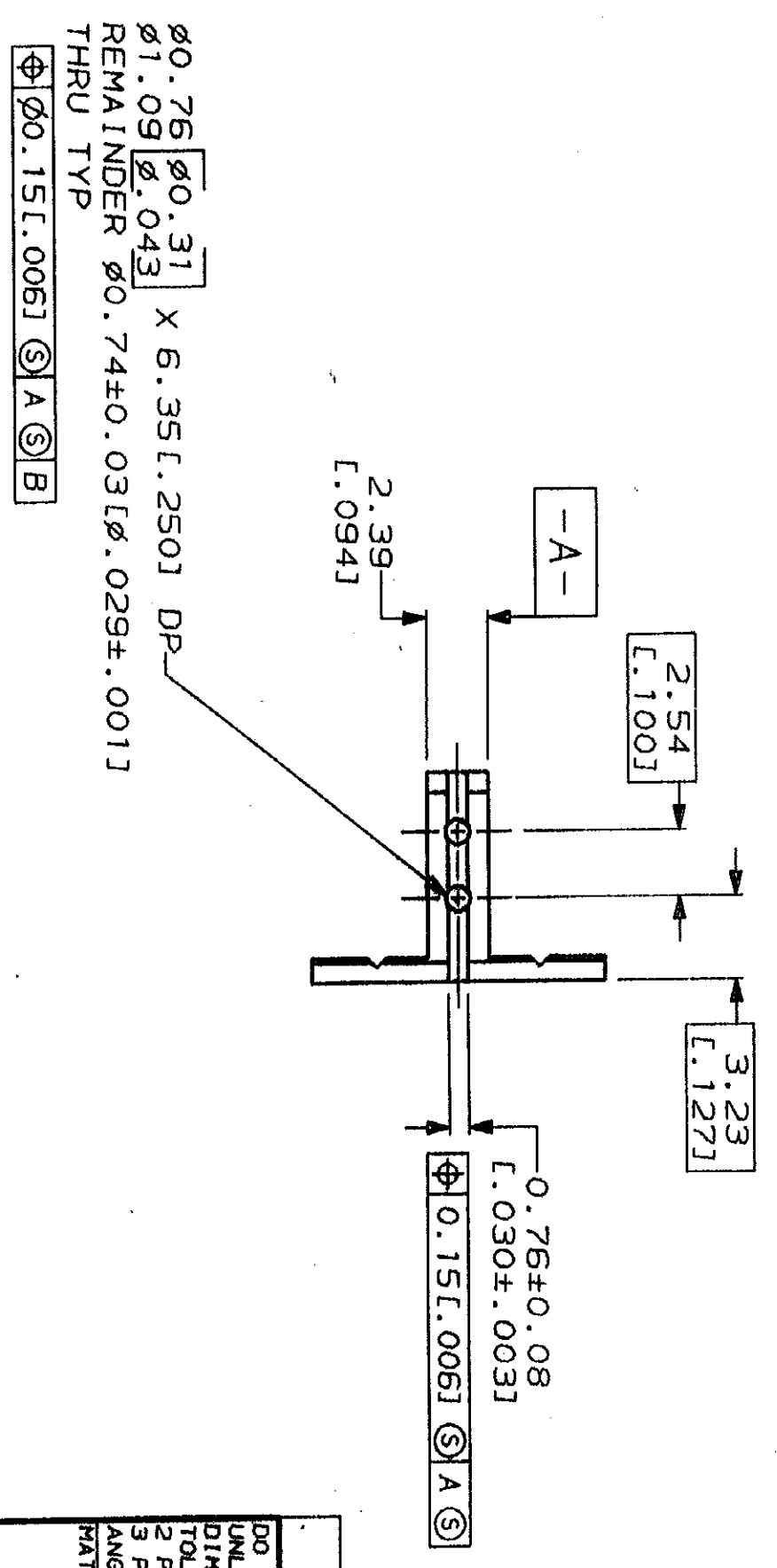
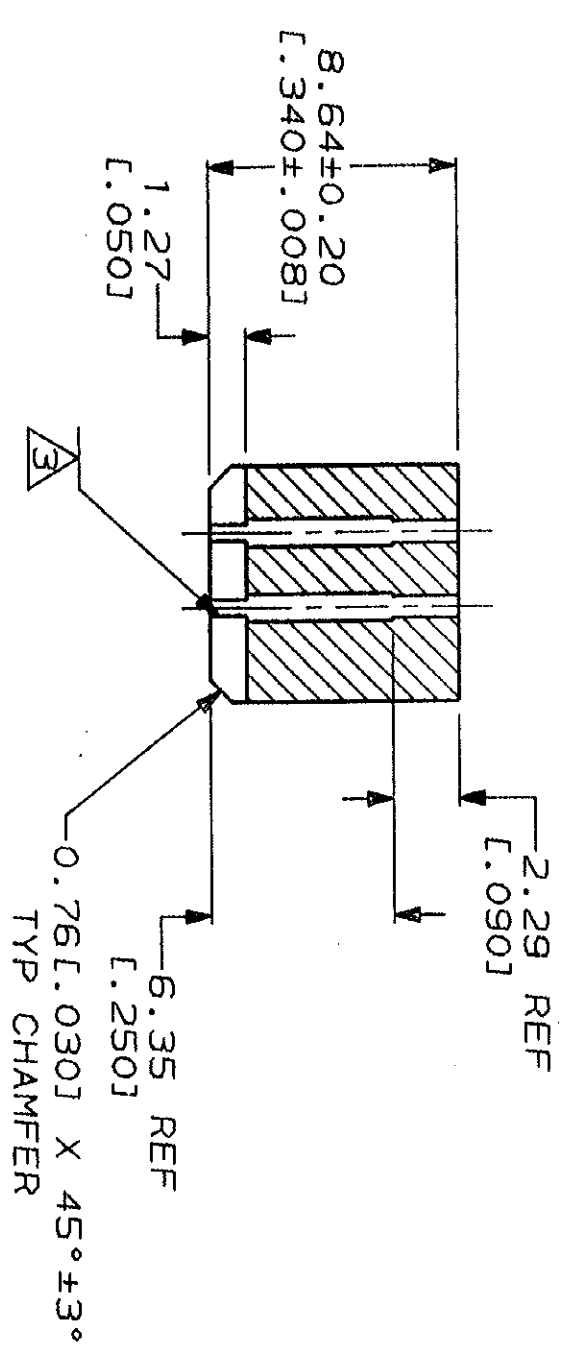
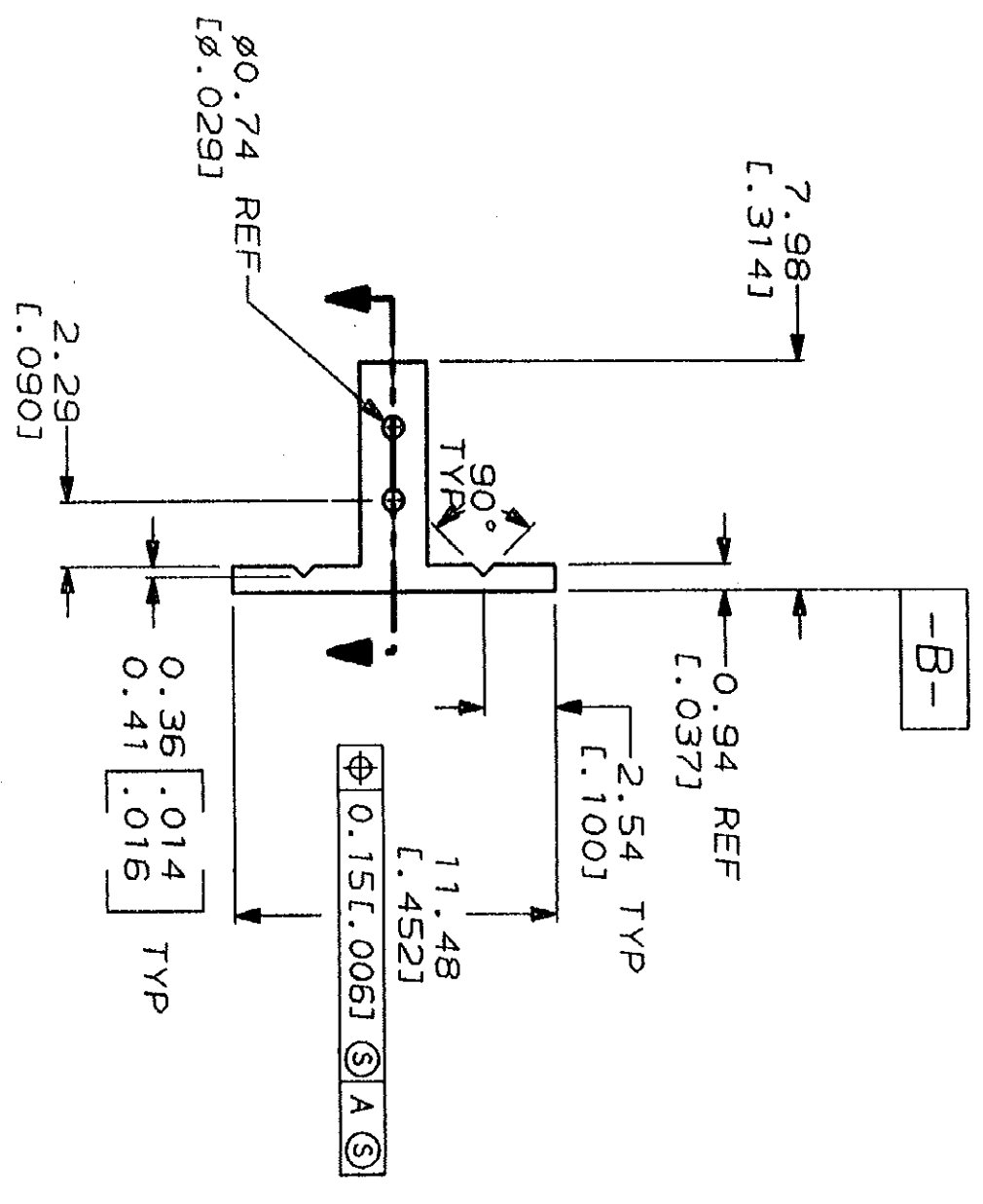


LOC	DIST	REV	DATE	APPD
AD	39		KIH	02/91

REV	DESCRIPTION	DATE	APPD
1	REV/REDRAW PER AD-5308		



Ø0.76 [Ø0.31] X 6.35 [L.250] DP
 REMAINDER Ø0.74±0.03 [Ø.029±.001]
 THRU TYP
 Ø0.15 [L.006] A A B

METRIC

DO NOT SCALE PRINT. UNLESS SPECIFIED DIMENSIONS IN mm (INCHES) TOLERANCES ON: 2 PLG DEC ± 0.13(.005) 3 PLG DEC ± ANGLES		DR 02/13/91 KATE HELM	NAME AMP AMP Incorporated Harrisburg, PA 17105-3508
MATERIAL HOUSING: Δ		APPD <i>A. Helm</i> 2-20-91	PRODUCT SPEC
FINISH		APPD <i>A. Helm</i> 2-20-91	SIZE CAGE CODE C 00779
WEIGHT		PRODUCT SPEC	DRAWING NO 87743
		SCALE 4:1	SHEET 1 OF 1

PART NO
87743-1
PART NUMBER

BARRIER, INSERT, KEYED

CUSTOMER DRAWING